



PROJECT NAME: \_\_\_\_\_

LOCATION: \_\_\_\_\_

ITEM: \_\_\_\_\_ QTY: \_\_\_\_\_

MODEL: \_\_\_\_\_

# SRPO-24G SRPO-36G

## COUNTER TOP GAS PIZZA OVENS

The Sierra Range SRPO pizza ovens feature a stainless steel exterior and an easy to clean interior with a porcelain deck and door liner.

The SRPO ovens are designed and built with the superior performance of Meteorite™ ceramic decks that achieve maximum heat while using less energy; and much quicker recovery times between uses. These refractory ceramic decks offer superior temperature uniformity and more consistent cooking times, especially during peak business hours.

The SRPO series pizza ovens have the flexibility to suit every operation. These ovens feature a 30,000 BTU "U" type burner. The temperature is adjustable from 300°F (149°C) to 650°F (343°C).



ADDITIONAL OPTIONS	EXTRA HEARTH DECKS
SRPO-24G	#108-HD24
SRPO-36G	#108-HD36

## STANDARD FEATURES

- Non-ferrous stainless steel construction including front, top, sides and valve control panel.
- Double wall construction with heavy insulation for fuel efficiency & cooler exterior surfaces.
- Each oven comes with 2 hearth decks adjustable to 3 positions with 2-3/4" between positions.
- Includes 650° F oven thermostat, 100% safety shut off, automatic standing pilot and brass burner valves.
- Cook directly on the deck or with pans or screens.
- 4" stainless steel adjustable legs included with every unit.
- The SRPO series gas ovens are shipped ready for natural gas installation. An LP conversion kit is included with each unit.



Tel.: 786.600.4687 / Toll Free: 844.218.8477  
Fax: 786.661.4100

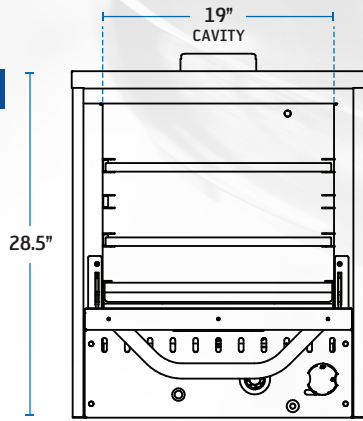


Tel.: 514.737.9701 / Toll Free: 888.275.4538  
Fax: 514.342.3854 / Toll Free: 877.453.8832  
sales@mvpgroupcorp.com

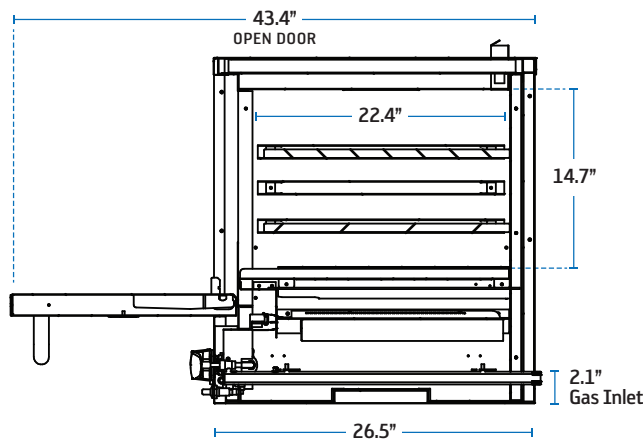
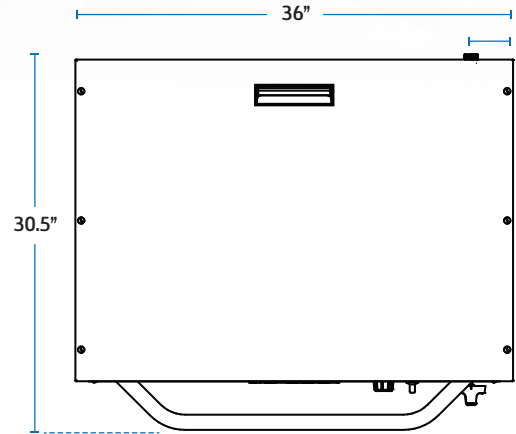
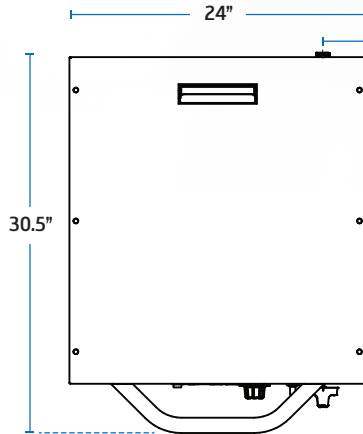
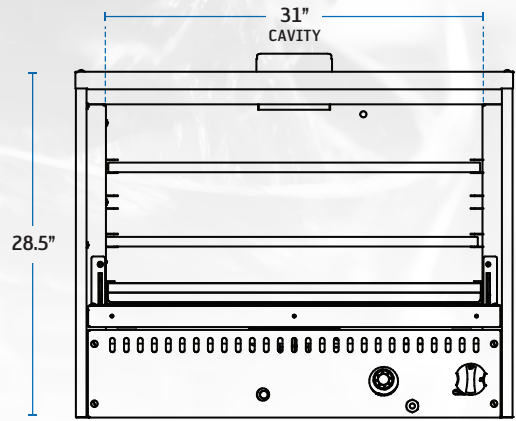


www.mvpgroupcorp.com

SRPO-24G



SRPO-36G



## SPECIFICATIONS

MODEL NUMBER	EXTERNAL DIMENSIONS (WxDxH) 30.5" DEPTH INCLUDING THE HANDLE 43.4" DEPTH WITH OVEN DOOR OPEN	OVEN DIMENSIONS (WxDxH)	NUMBER OF BURNERS	BTU (OVEN)	NET WEIGHT	SHIPPING WEIGHT
SRPO-24G	24.0" X 26.5" X 28.5"	19.0" X 22.4" X 14.7"	1	30,000	220 LBS	282 LBS
SRPO-36G	36.0" X 26.5" X 28.5"	31.0" X 22.4" X 14.7"	1	30,000	278 LBS	351 LBS

**Warranty:** 12 months parts & labor.

**Gas Connection:** 3/4" NPT on the right hand rear of the appliance. The pressure regulator (supplied) is to be connected here by the installer.

**Gas pressure:** 5" W.C. - Natural Gas | 10" W.C. - Propane

**Combustible Clearances:** For use in non-combustible locations | Non-combustible Clearances: 0 inches sides, 0 inches rear

Specify type of gas and altitude, if over 2,000 feet, when ordering.

SIERRA RANGE is a registered trademark of MVP Group.

Due to continuing product development, to ensure best possible performance, the specifications are subject to change without prior notice.



Tel.: 786.600.4687 / Toll Free: 844.218.8477  
Fax: 786.661.4100



Tel.: 514.737.9701 / Toll Free: 888.275.4538  
Fax: 514.342.3854 / Toll Free: 877.453.8832  
sales@mvpgroupcorp.com

